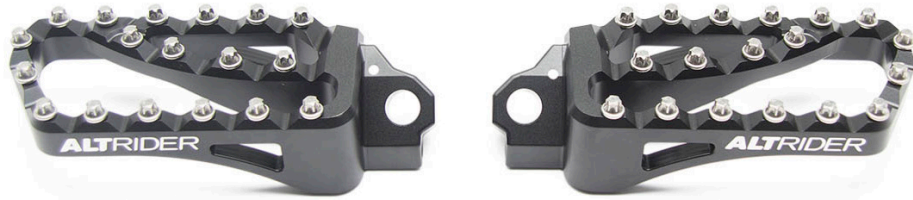


# AltRider Extra Wide Foot Pegs for the Yamaha Tenere 700 & KTM 690/790/890 Models

## INSTALLATION & CARE INSTRUCTIONS



Dear Rider,

Thank you for choosing AltRider! Whether a seasoned world adventurer or a first time ADV-Newbie, we welcome you to the AltRider experience. You can install your new product with the utmost confidence. AltRider designs, tests, and manufactures all of its products here in the United States. We are proud to do what we do, and honored to present to you the product of our labors.

Enjoy it, show it off, and most of all, RIDE IT!

Venture On,  
Jeremy LeBreton



### Kit Contents

- ① Left & Right Foot Peg
- ② Screw-in Cleats (18 per Foot Peg)
- ③ (2) 29 mm Spacers
- ④ (4) 6 mm Spacers
- ⑤ (2) M6 Fasteners
- ⑥ (8) M6 Washers
- ⑦ Rider's Right Hand Spring (Yellow)
- ⑧ Rider's Left Hand Spring (Silver)



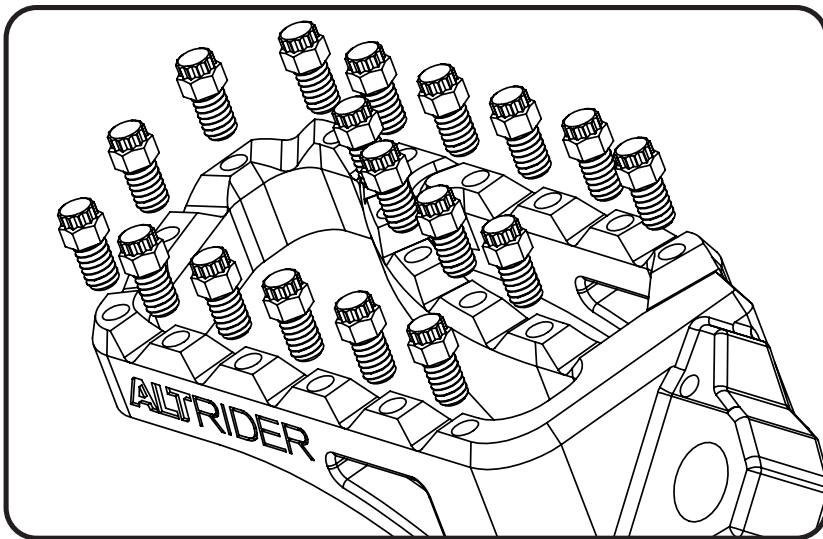
### Tools necessary:

- ① 5mm hex driver (Allen Key)
- ② 1/4" driver handle
- ③ Pliers
- ④ Thread locker (medium strength)
- ⑤ 5 mm socket



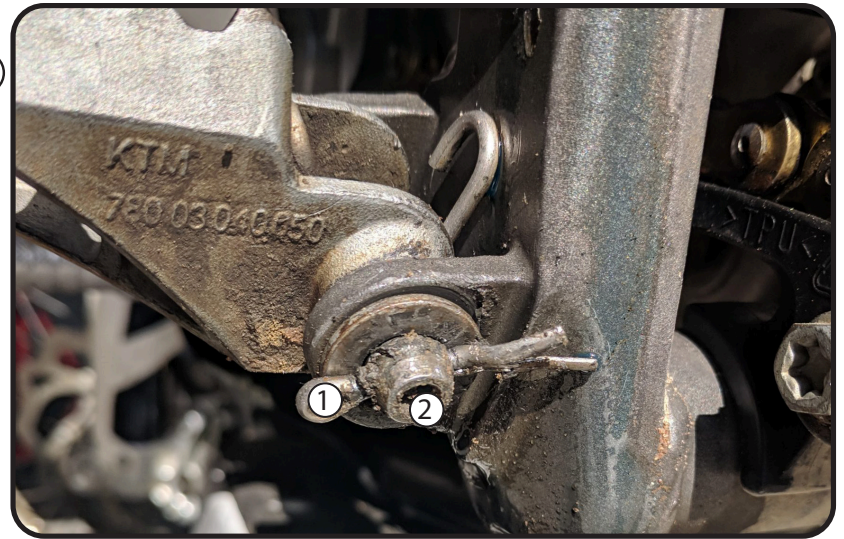
all imagery is prope

①



Use 5 mm socket to fasten all 18 cleats to each foot peg. Be sure to place a drop of thread locker on each cleat beforehand.

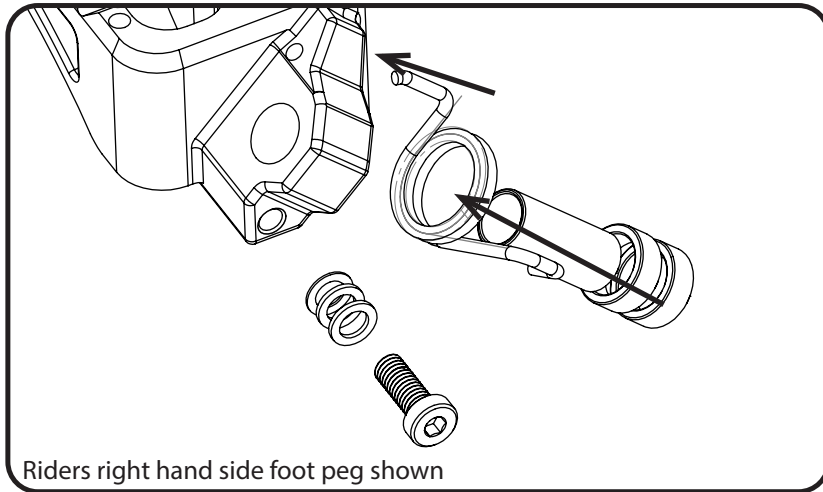
②



- 1) At the bottom of each foot peg straighten the cotter pin and remove.
- 2) Then use pliers to remove the foot peg pin holding the foot peg in place. Save all hardware, except the spring.

③ A

Yamaha Tenere 700

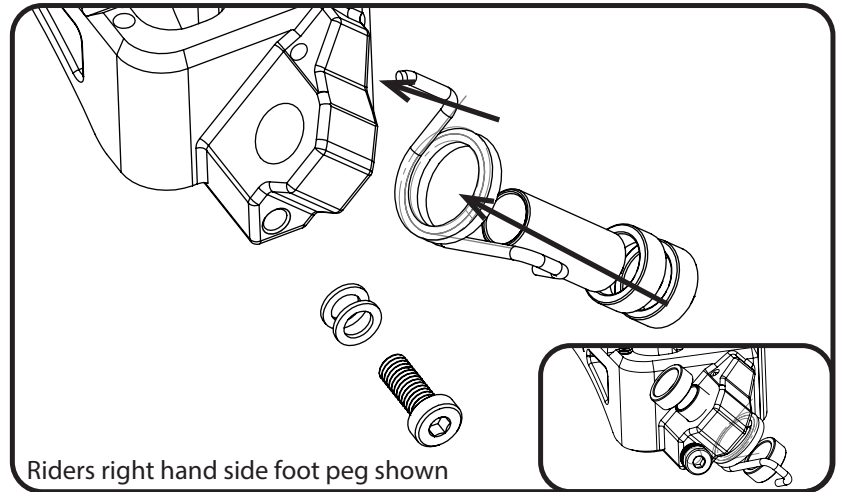


Riders right hand side foot peg shown

Insert M6 fastener with 5mm hex driver and 3 washers for a flat or neutral position, add or remove washers to adjust the camber.  
 Insert spacers and spring as shown: 29mm spacer is inserted into foot peg with both 6 mm spacers at the bottom and spring around both 6mm spacers. **Silver spring goes on rider's left side peg and yellow spring goes on riders right side peg.** The straight end of spring is inserted into the small hole in foot peg.

③ B

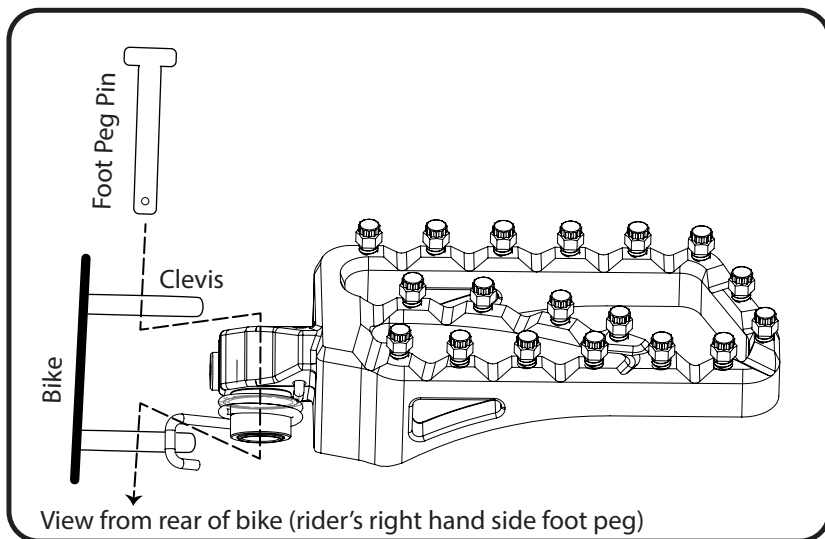
KTM 690/790/890 Models



Riders right hand side foot peg shown

Insert M6 fastener with 5mm hex driver and 2 washers for a flat or neutral position, add or remove washers to adjust the camber.  
 Insert spacers and spring as shown: 29mm spacer is inserted into foot peg with both 6 mm spacers at the bottom and spring around both 6mm spacers. Optionally you can place one of the 6 mm spacers above the peg for a lower position (see inset). **Silver spring goes on rider's left side peg and yellow spring goes on riders right side peg.** The straight end of spring is inserted into the small hole in foot peg.

④



Insert foot peg assembly into clevis with the hooked part the spring wrapping around back side of clevis, insert the OEM foot peg pin as shown above. Spring should create tension and allow foot peg to rotate backwards but return to neutral position after tension is released. After foot peg pin is fully inserted place washer on foot peg pin and insert straightened cotter pin back through cotter pin hole in the foot peg pin and bend cotter pin to lock in place.

## CONGRATULATIONS!

**You've completed your installation. If at any point you have questions about your installation or have any feed back for us, we'd love to hear it. A downloadable version of these instructions can be found at our website. [www.AltRider.com](http://www.AltRider.com)**

### Global Office:

**email:** [info@altrider.com](mailto:info@altrider.com)  
**phone:** +1 206-922-3618  
**address:** 3708 Airport Way South  
 Seattle, WA 98134

### Europe Office:

**email:** [info@altrider.eu](mailto:info@altrider.eu)  
**address:** Spectrumlaan 31  
 2665 NM Bleiswijk  
 Netherlands



[youtube.com/altriderllc](https://www.youtube.com/altriderllc)



[@altriderllc](https://twitter.com/altriderllc)



[facebook.com/altrider](https://www.facebook.com/altrider)



[@altrider\\_official](https://www.instagram.com/altrider_official)

#### TERMS OF USE, WARRANTY AND LIABILITY WAIVER

AltRider LLC, a Washington company, having its principal place of business in Seattle, WA ("AltRider") offers its motorcycle accessories (the "Product") with the terms, conditions and notices as follows:

##### Terms of Use

This Product is offered to you conditioned upon your acceptance without modification of the terms, conditions, and notices contained herein. Installation and/or use of this product implies acceptance of all such terms, conditions, and notices. If you do not agree to these terms, do not buy the Product. If you have already bought the Product and do not agree to these terms, return this Product promptly including the packaging and all written materials, to AltRider.

##### Limitation of Liability and Warranty Disclaimer

You may return your merchandise for a full refund or exchange, less any original or return shipping fees under these conditions:

1. Only if the merchandise is in 100% factory condition. Original manufacturer's packaging and same condition as sold – original boxes, packaging material, instructions, documentation, parts, and attached tags.
2. Only unused, unscratched, uninstalled, undamaged merchandise will be accepted. Do not install equipment until you are sure you want to keep it. Package items carefully in protective materials before returning them. Never ship an item in its original manufacturers packaging – it will arrive damaged. Please use a postal box or other adequate packaging to ensure your return or exchange is not damaged on the way back to AltRider.com.

To read more about our exchanges and returns policy, on the web, navigate to [www.altrider.com/index.php/symfony/exchangesAndReturns](http://www.altrider.com/index.php/symfony/exchangesAndReturns)

Excepting the warranties stated in the preceding paragraph, AltRider hereby disclaims all other warranties and conditions with regard to the Product including all implied warranties and conditions of merchantability and fitness for a particular purpose. There are no warranties which extend beyond the description on the face hereof. AltRider does not warrant against damages or defects arising out of use or installation of the Product. Installation instructions are provided for your convenience. AltRider is not responsible for any damages arising out of the installation, improper or otherwise, of the Product. No warranty of any kind, expressed or implied, is made regarding the safety of this Product.

To the extent allowed by law, AltRider shall not be held liable for any direct, indirect, punitive, incidental, special or consequential damages arising out of, or connected with, the use or misuse of this Product. Buyer assumes all risks and liability arising from use of this Product.

##### Entire Agreement

This document states the entire obligation of AltRider with respect to the Product. If any part of this agreement is determined to be void, invalid, unenforceable or illegal, including, but not limited to the warranty disclaimers and liability limitations set forth above, then the remainder of the agreement shall remain in full force and effect.

##### Applicable Law

This agreement is governed by the laws of Washington, USA. You hereby consent to the exclusive jurisdiction and venue of the courts of Washington, USA, in all disputes arising out of or relating to the use of this product.